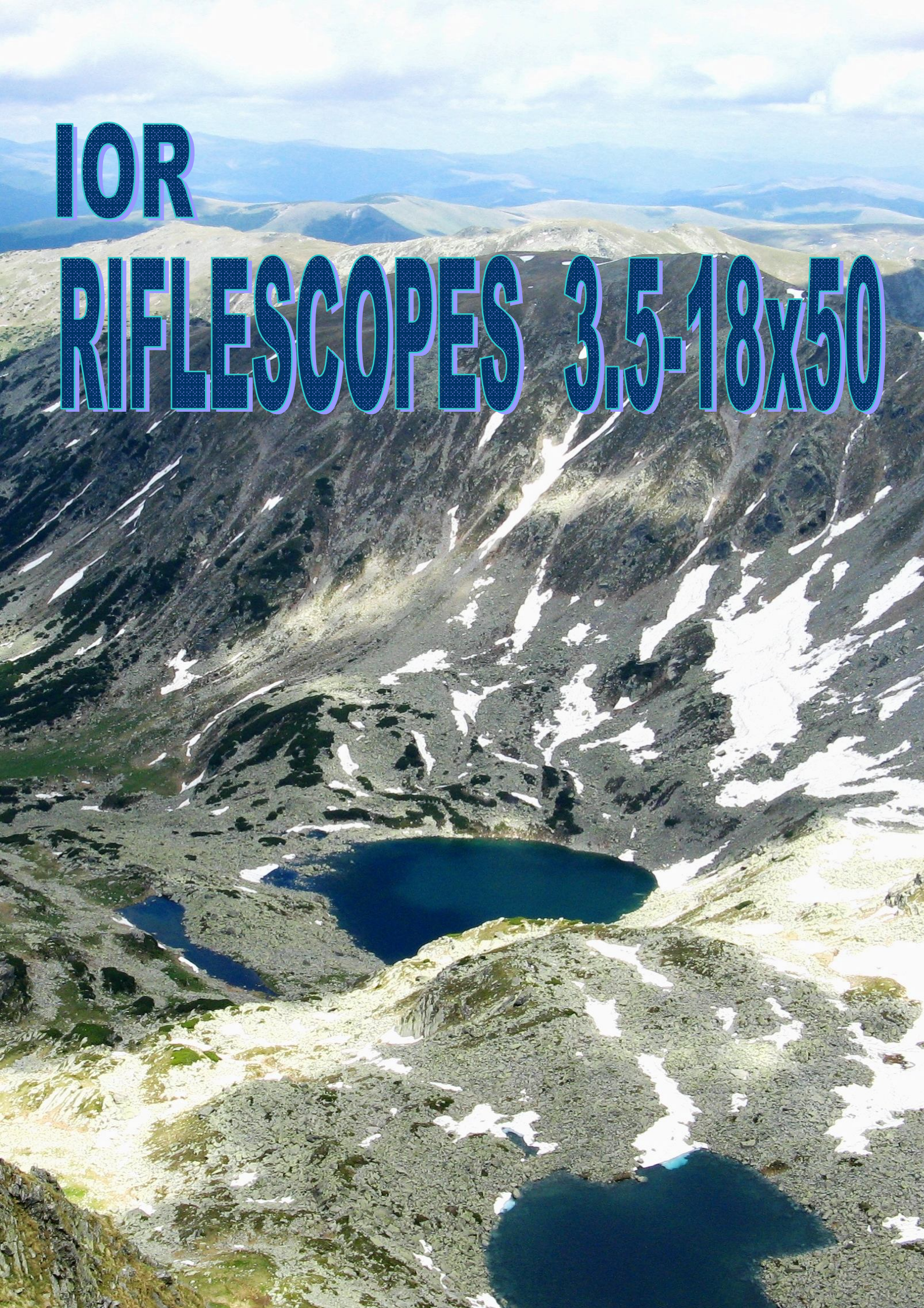


**IOR**

**RIFLESCOPES 3.5-18x50**



# IOR

*Introduces the new family of riflescopes*

# 3.5-18x50



The new IOR serie of riflescopes **3.5-18x50** offers 3 models:



- **FFP & MIL/MIL**
- **FFP & MOA/MOA**
- **SFP & MOA/MOA**



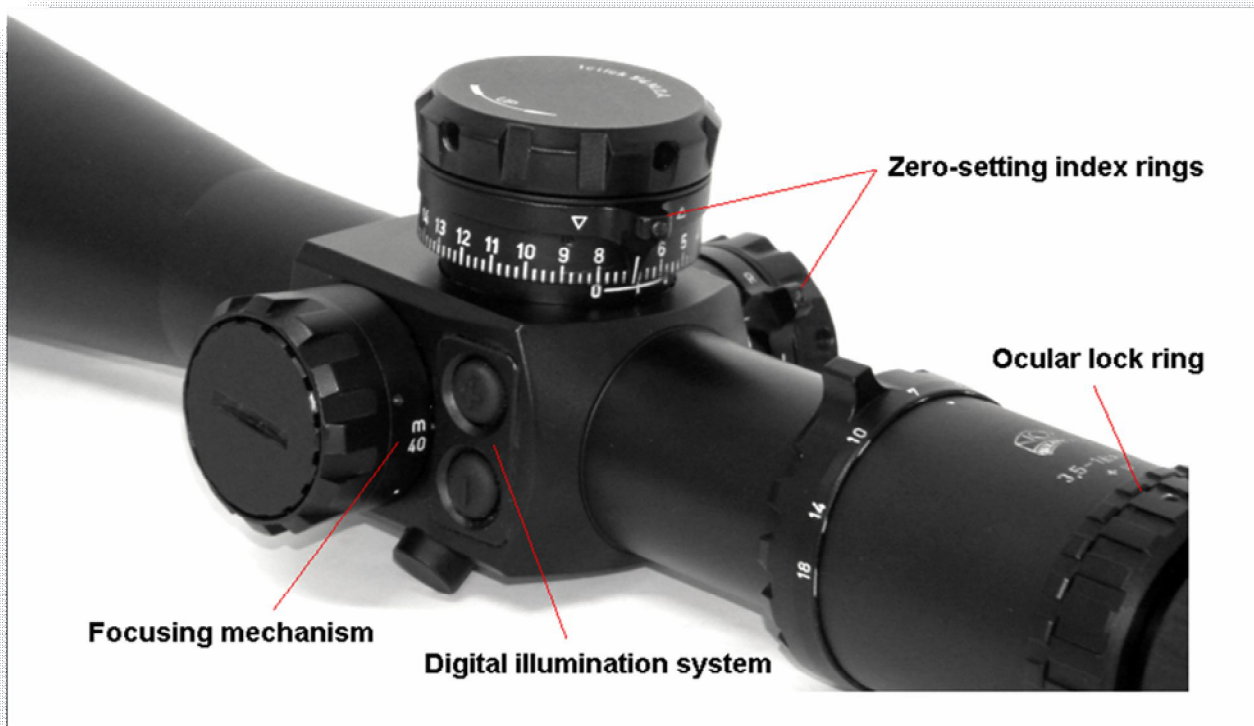
## *All models bring:*

- **New design with more aperture and eye relief!**
- **New digital illumination system!**
- **New focusing mechanism from 40m to infinity!**
- **New zero-setting index rings!**
- **New eyepiece with ocular lock ring!**



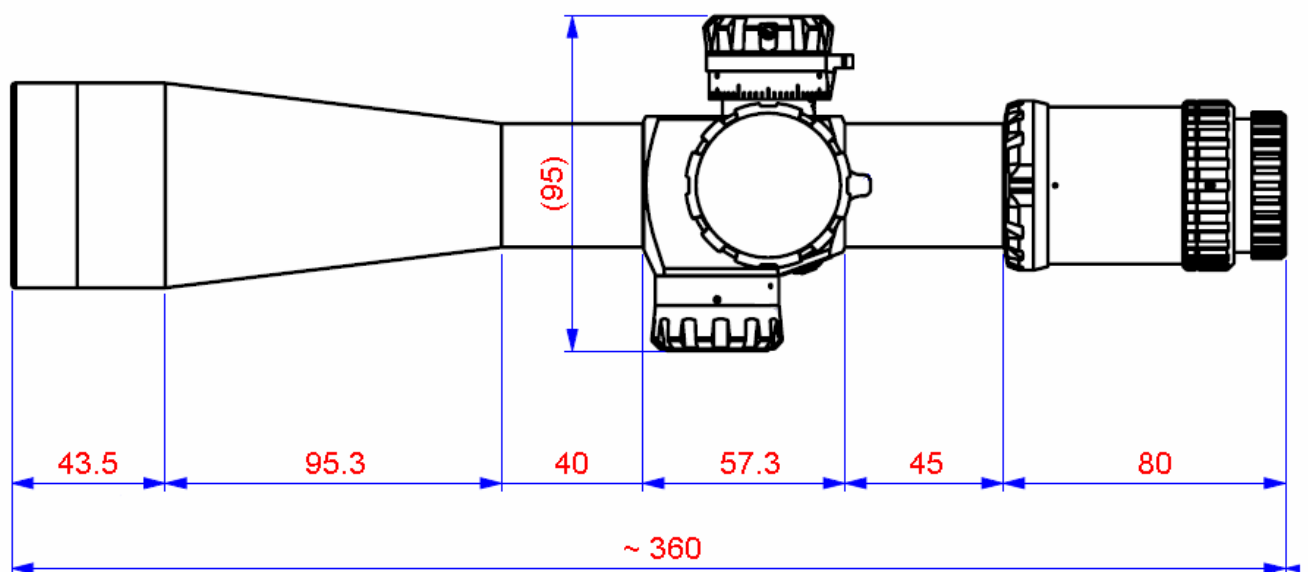


## ***New and improved features !***





***New design !***





# RIFLESCOPE 3.5 -18x50 / FFP & MIL/MIL

## TECHNICAL CHARACTERISTICS



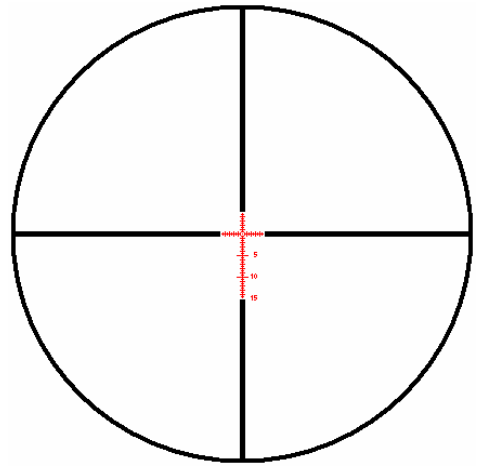
<u>Magnification:</u>	3.5 ... 18x
<u>Objective diameter:</u>	50 mm
<u>Field of view:</u>	
- angular	5.2° ... 1.2°
- linear	9.1 ... 2.1 m/100m
<u>Exit pupil diameter:</u>	8.2 ... 2.8 mm
<u>Eye relief:</u>	85 ... 95 mm
<u>Dioptric compensation:</u>	± 3 dpt
<u>Parallax correction:</u>	40 m ... infinity
<u>Adjustment range:</u>	
- elevation	20 mrad
- windage	± 10 mrad
<u>Click value:</u>	1 cm/100m (0.1 mrad)
<u>Reticle type:</u>	MIL scale / FFP / illuminated
<u>Battery type:</u>	3V CR 2032
<u>Tube diameter:</u>	35 mm
<u>Length:</u>	~ 360 mm
<u>Weight:</u>	~ 1050 g

This model is with **MIL** turrets and **MIL** reticle!

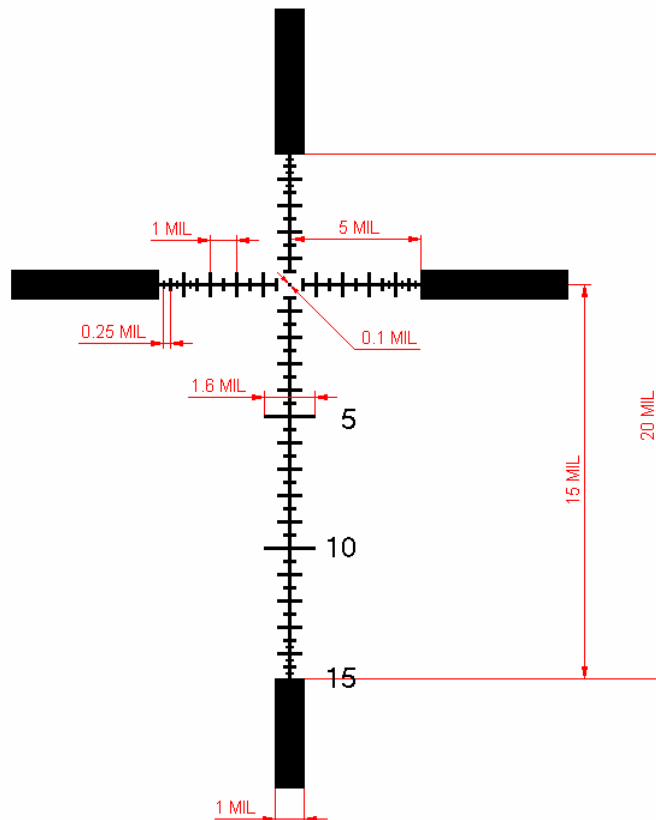


cm/m

mrad



- The turrets are available engraved in cm/m or in mrad.
- The reticle is positioned in the front focal plane and his type is the famos MP8 – M.







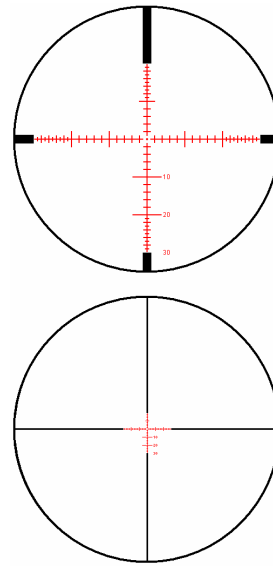
## RIFLESCOPE 3.5-18x50 / FFP & MOA/MOA



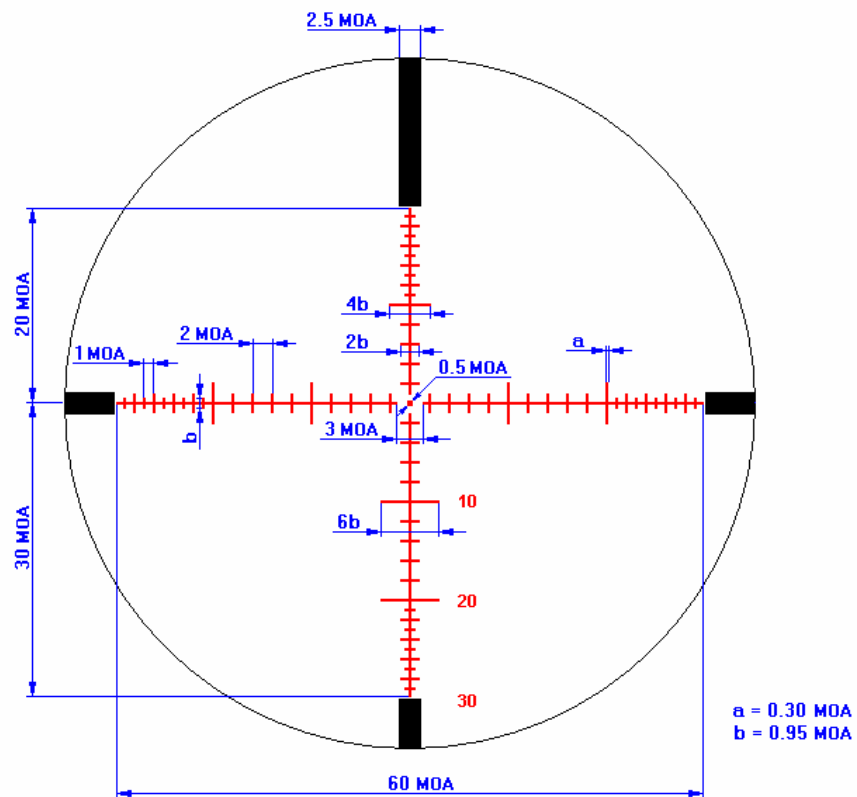
### TECHNICAL CHARACTERISTICS

<b><u>Magnification:</u></b>	<b>3.5 ... 18x</b>
<b><u>Objective diameter:</u></b>	<b>50 mm</b>
<b><u>Field of view:</u></b>	
- angular	5.2° ... 1.2°
- linear	9.1 ... 2.1 m/100m
<b><u>Exit pupil diameter:</u></b>	<b>8.2 ... 2.8 mm</b>
<b><u>Eye relief:</u></b>	<b>85 ... 95 mm</b>
<b><u>Dioptic compensation:</u></b>	<b>± 3 dpt</b>
<b><u>Parallax correction:</u></b>	<b>40 m ... infinity</b>
<b><u>Adjustment range:</u></b>	
- elevation	68 MOA
- windage	± 34 MOA
<b><u>Click value:</u></b>	<b>¼ MOA</b>
<b><u>Reticle type:</u></b>	<b>MOA scale / FFP / illuminated</b>
<b><u>Battery type:</u></b>	<b>3V CR 2032</b>
<b><u>Tube diameter:</u></b>	<b>35 mm</b>
<b><u>Length:</u></b>	<b>~ 360 mm</b>
<b><u>Weight:</u></b>	<b>~ 1050 g</b>

This model is with **MOA** turrets and **MOA** reticle!



- The reticle is positioned in the front focal plane and his type is MP8 – adapted for MOA.





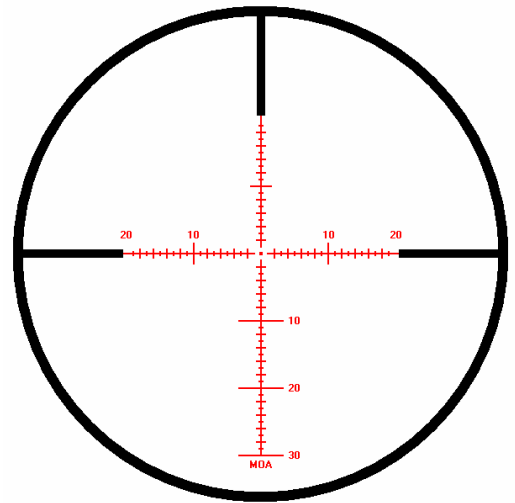
## RIFLESCOPE 3.5-18x50 / SFP & MOA/MOA



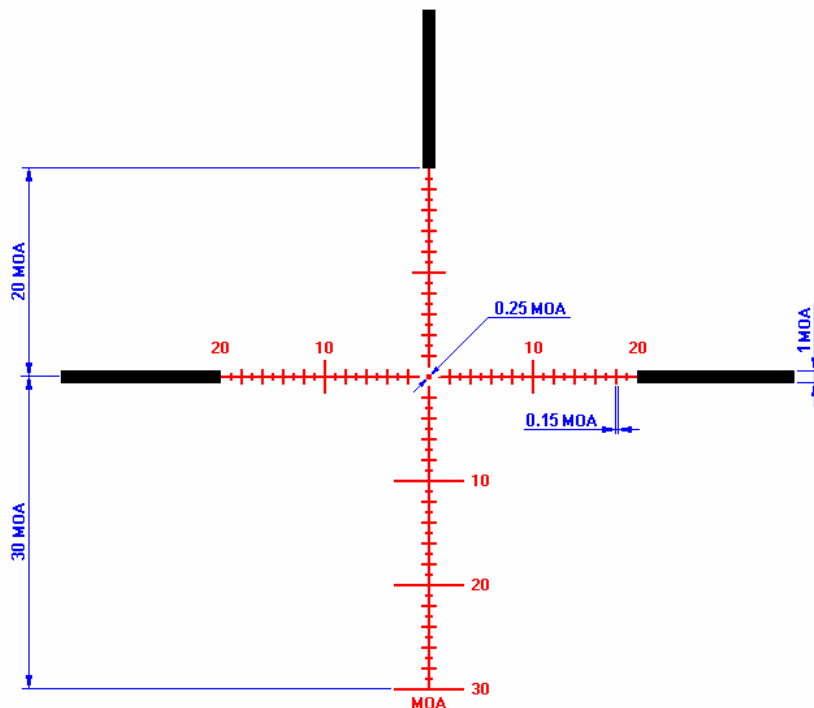
### TECHNICAL CHARACTERISTICS

<b><u>Magnification:</u></b>	<b>3.5 ... 18x</b>
<b><u>Objective diameter:</u></b>	<b>50 mm</b>
<b><u>Field of view:</u></b>	
- angular	5.2° ... 1.2°
- linear	9.1 ... 2.1 m/100m
<b><u>Exit pupil diameter:</u></b>	<b>8.2 ... 2.8 mm</b>
<b><u>Eye relief:</u></b>	<b>85 ... 95 mm</b>
<b><u>Dioptric compensation:</u></b>	<b>± 3 dpt</b>
<b><u>Parallax correction:</u></b>	<b>40 m ... infinity</b>
<b><u>Adjustment range:</u></b>	
- elevation	68 MOA
- windage	± 34 MOA
<b><u>Click value:</u></b>	<b>¼ MOA</b>
<b><u>Reticle type:</u></b>	<b>MOA scale / FFP / illuminated</b>
<b><u>Battery type:</u></b>	<b>3V CR 2032</b>
<b><u>Tube diameter:</u></b>	<b>35 mm</b>
<b><u>Length:</u></b>	<b>~ 360 mm</b>
<b><u>Weight:</u></b>	<b>~ 1050 g</b>

This model is with **MOA** turrets and **MOA** reticle!



- The reticle is positioned in the second focal plane and his type is MP8 – adapted for MOA.
- The reticle is calculated for a magnification of 18x.





**S.C. IOR S.A.**

Strada Bucovina nr.4 Bucuresti  
tel: 021 324 42 10 e-mail: [ior@ior.ro](mailto:ior@ior.ro)  
fax: 021 324 31 96 <http://www.ior.ro>



**VALDADA OPTICS**  
Phone: 303-979-4578  
PO BOX 270095  
Littleton, CO 80127